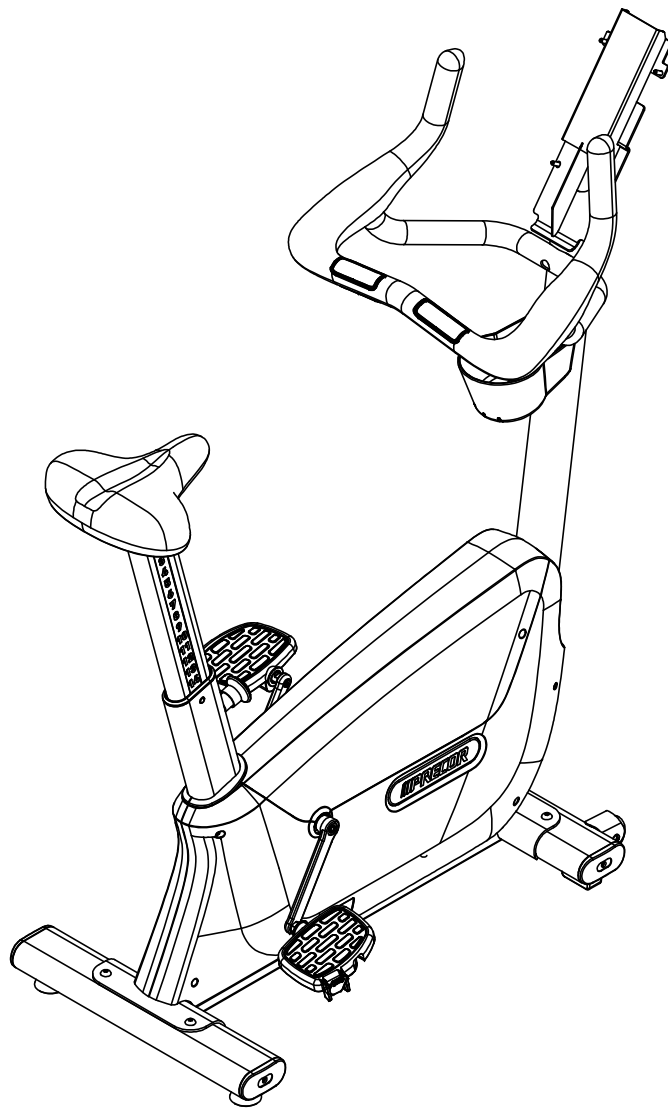


D

C

B

A



PRODUCT:				PRECOR		
UBK 13						
DRWN BY	8.13.13	KAW	SIZE	PAGE	DWG. NO.	SUBREV
CS	8.5.13	BG	A	1 OF 3	302303-101	C

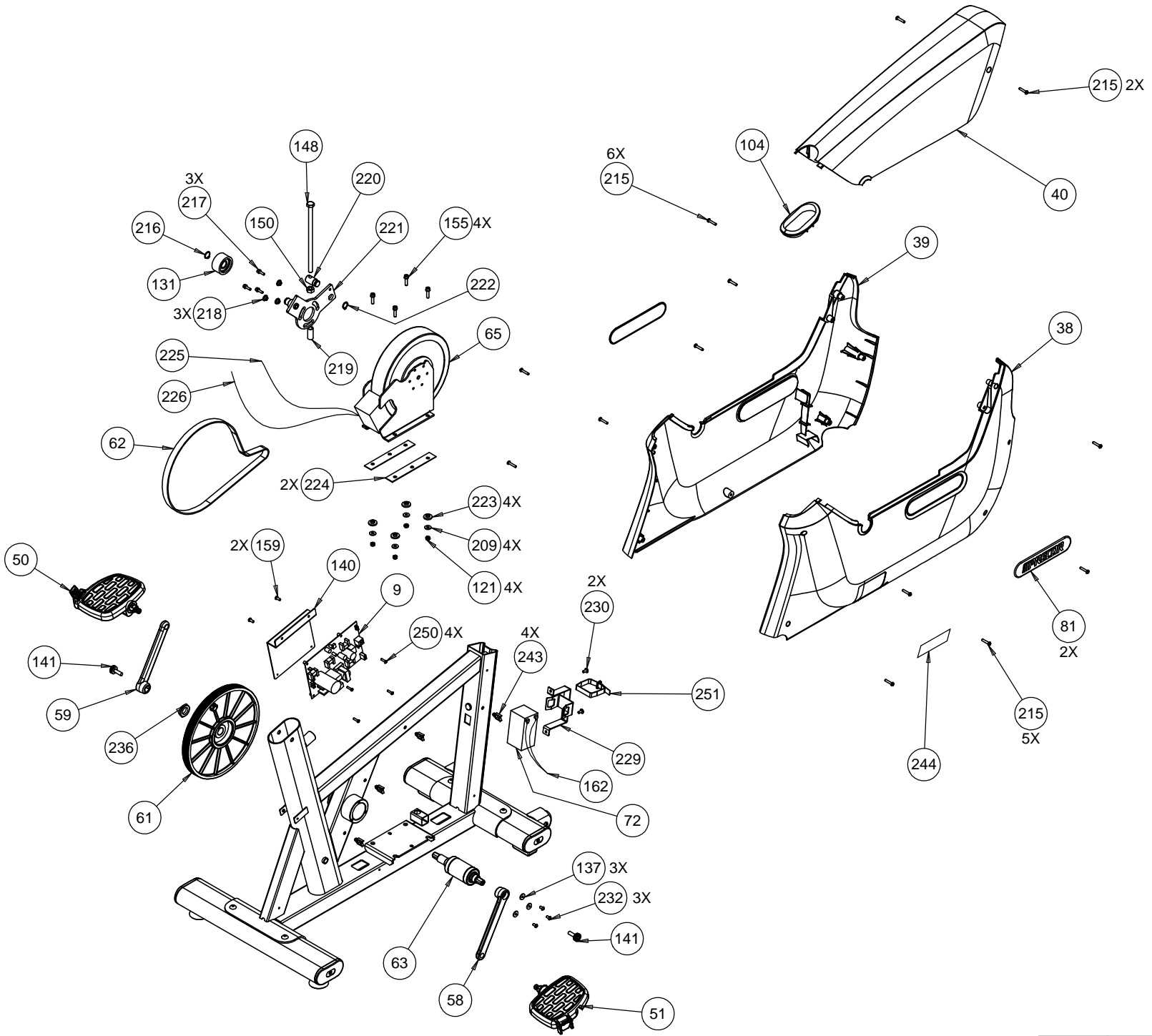
DRAWING TEMPLATE REV. B

4

3

2

1



, (615), (serial code AEZH)

Part Number	Description	Bubble Number
RX3ANC000	FRAME ASS'Y (WELDMENT, UBK13), RX P	1
RX34XE000	ASSY,CBL,MOD,8P8C,1830MM(72")	7
RX3AW2000	ASSY,PCA&SW,615 VERTICAL BIKE,LCSPA	9
RX3AUH000	HANDLEBAR ASSEMBLY W/ HAND PULSE AS	33
RX3AUK000	HANDLEBAR ASSEMBLY W/ HAND PLUSE AS	34
RX3ANR102	10CONSOLE MAST ASS'Y (WELDMENT), RX P	37
58050101	KIT, LEFT CHAINGUARD ASSEMBLY, UBK1	38
58052101	KIT, RIGHT CHAINGUARD ASSEMBLY, UBK	39
RX3ASX000	COVER	40
RX3BKJ102	LEFT PEDAL ASS'Y, RX P/N 10J53BKJ,	50.01
RX3HGX000	LEFT PEDAL ASS'Y, RX P/N 10J53HGJ,	50.02
RX3BKL102	RIGHT PEDAL ASS'Y, RX P/N 10J53BKL,	51.01
RX3HGX000	RIGHT PEDAL ASS'Y, RX P/N 10J53HGK,	51.02
RX3ARU000	CRANK, R	58
RX3ARV000	CRANK, L	59
RX20L2000	DRIVE PULLEY ASS'Y	61
RX39V6000	DRIVE BELT,POLY-V BELT, PJ1016	62
58055101	KIT, CRANK SHAFT ASSEMBLY, RBK/UBK1	63
RX3AT7000	MAGNETIC BRAKE ASS'Y	65
RX3D53000	BATTERY,SLA,12V,1.2AH,.187 TABS, RX	72
RX3BML000	TRADE-MARK LABEL (PRECOR METAL BADG	81
RX3ASU000	WATER BOTTLE HOLDER, RX P/N 10J43AS	100
RX3ASJ000	CLEAR PANEL	104
RX3ANZ000	HANDLE BAR ASS'Y, RX P/N 10J43ANZ	110
RX3B0V000	CR. RE. PAN HD. SCREW, M4*0.7-18	111
RX3BGX000	ASSY,CBL,HHHR,GRIPS TO DISPLAY,UBK,	112
RX3DN7000	COMPRESSION SPRING	116
RX0KR4000	LOCK NUT, M8*1.25 T=8	117
RX3ATF000	AXLE SEAT, RX P/N 10J43ATF	118
RX39XU000	SEAT ASS'Y, RX P/N 10J439XU	119
RX0KR3000	LOCK NUT	121
RX3ASS000	SEAT POST BUSHING	124
RX3BTL000	SCALE (UBK SEAT POST), RX P/N 10J43	129
RX3CR3000	IDLER WHEEL, RX P/N 10J43CR3	131
RX36DL000	WASHER, FLAT, 5*16-2	137
RX3CA1000	CONTROLLER ATTACHMENT PLATE, RX P/N	140
RX3B0H000	CRANK BOLT, RX P/N 10J53B0H	141
RX3AZ5000	HEX. HD. BOLT, M10*1.5-210	148
RX2T9D000	HEX. NUT, M10*1.5-8	150
RX3BE3000	HEX.SOCKET HD.CAP SCREWS, M6*1.0-25	155
RX3AZ7000	CR. RE. PAN HD. SCREW, M5*08.16	158
RX0KFG000	CR. RE. PAN HD. SCREW, M5*0.8-12	159

RX3AVL000	ASSY,CBL,BATTERY,2C,16AWG,QK DISC,1	162
RX3B0C000	SHCS, M12*1.75-80	170
RX3ARR000	LEVELING PAD, RX P/N 10J53ARR	171
RX26LH000	LEVELING PAD	172
RX2XUK000	ROLLING WHEEL	173
RX3B0K000	SCREW-MALE, RX P/N 10J53B0K	174
RX3B0J000	SCREW-FEMALE, RX P/N 10J53B0J	175
RX2RYH000	CR. RE. PAN HD. SCREW, M5*0.8-12	176
RX3ARQ000	END CAP	178
58054101	KIT, SEAT POST ASSEMBLY , UBK13	192
RX3CBB000	HARDWARE BAG ASS'Y (HW KIT, UBK13),	200
RX3AYP000	FLAT WASHER, 8.1*16-2	201
RX3AYQ000	HEX. SOC. HD. CAP BOLT, M8*1.25-25	202
RX3ASL000	BUSH	204
RX3ASP000	HANDLE BAR, RX P/N 10J43ASP	205.01
RX3HGL000	HANDLE BAR, RX P/N 10J43HGL	205.02
RX0J6G000	FLAT WASHER, 8.2*18-2.0	206
RX3HGM000	HANDLE COVER, RX P/N 10J43HGM	206.01
RX3HGM000	HANDLE COVER, RX P/N 10J43HGM	206.02
RX3B0F000	C-RING, B-19	207
RX3ASN000	COMPRESSION SPRING, RX P/N 10J43ASN	208
RX0J6P000	FLAT WASHER, 6*16-2	209
RX3ASK000	LOCATION PIN, RX P/N 10J43ASK	210
RX3ASM000	RUBBER INSERT, RX P/N 10J43ASM	211
RX3AZ6000	CR. RE. PAN HD. SCREW, M5*0.8-25	215
RX0JEE000	C-RING	216
RX3AZ8000	HEX.SOCKET HD.CAP SCREWS, M5*0.8-18	217
RX21X8000	SPACER	218
RX3B7R000	INSULATION SLEEVE, RX P/N 10J43B7R	219
RX2H4J000	RETAINING RING	220
RX3AR0000	IDIER WHEEL BRACKET ASS'Y, RX P/N 1	221
RX22LR000	C-RING, A-16	222
RX3B7J000	INSULATING SLEEVE, RX P/N 10J43B7J	223
RX3B7H000	INSULATE PLATE, RX P/N 10J43B7H	224
RX3AW6000	ASSY,CBL,BRAKE,2C,560MM(22")	225
RX3AW3000	ASSY,CBL,GENERATOR,3C,765MM(30")	226
RX3B4S000	BHCS, 1/4-20UNC X 3/4	227
RX3AZ4000	HEX. SOC. TRUSS HD. SCREW, M10*1.5-	228
RX3D5G000	BATTERY BRACKET ASS'Y, RX P/N 10J53	229
RX2DUD000	CR.-RE. TRUSS HD. SCREW, M5*0.8-12	230
RX3BV8000	HEX. SOC. TRUSS HD. SCREW, M5*0.8-1	232
RX3APR000	FRONT STABILIZER ASS'Y, RX P/N 10J5	233
RX0KNM000	HEX. NUT	234
RX3APW000	REAR STABILIZER ASS'Y, RX P/N 10J53	235

RX3AYV000 HEX. NUT, M20*1.0-6	236
RX2SDE000 CORD CLAMP	243
RX3BUJ001 REGULATORY LABEL, UBK13, RX P/N 10J	244
RX21KX000 FLAT WASHER, 4*8-1.5, BLACK	245
RX0KF8000 CR. RE. PAN HD. SCREW, M4*0.7-16	250
RX3D66000 VELCRO STRAP, RX P/N 10J53D66	251
302306201 LITERATURE KIT, UBK 615 VERTICAL, E	998